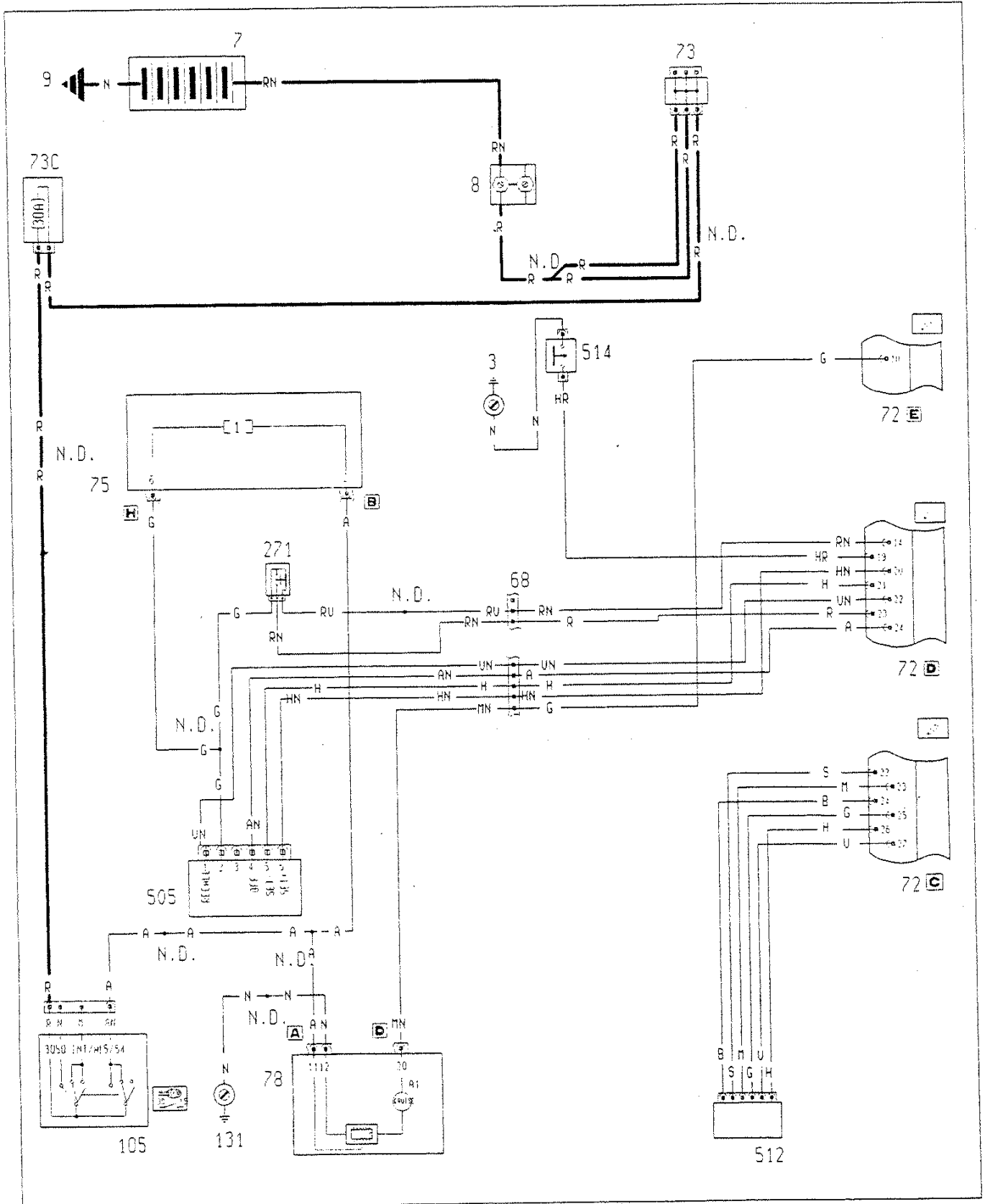
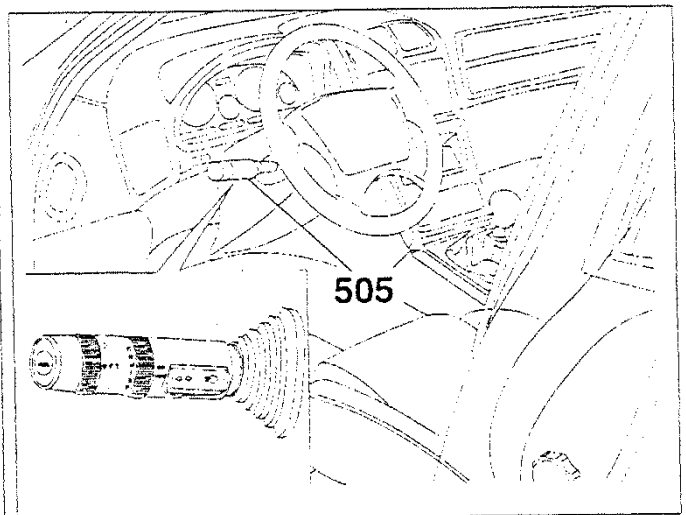
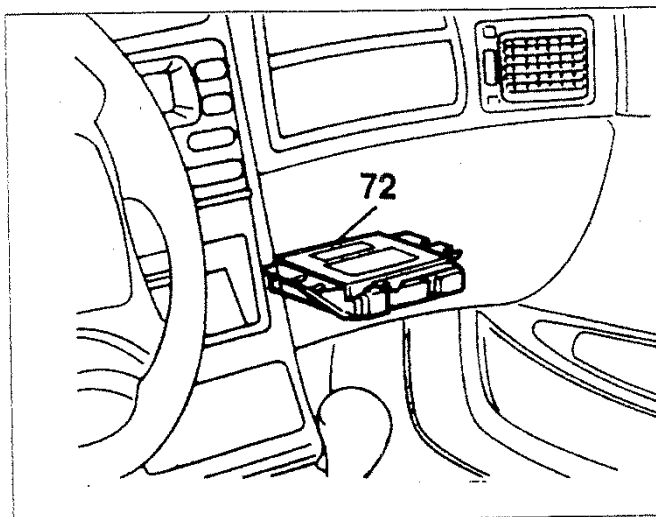
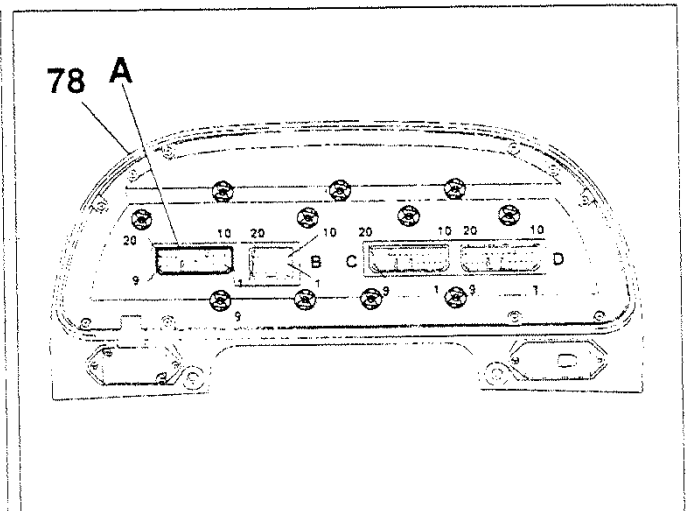
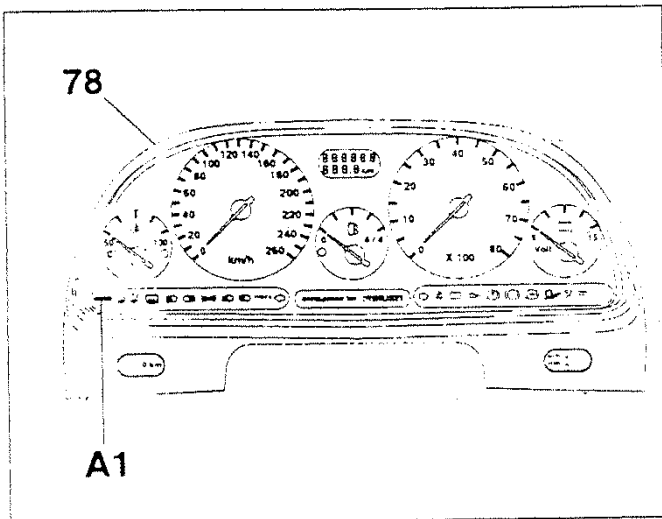
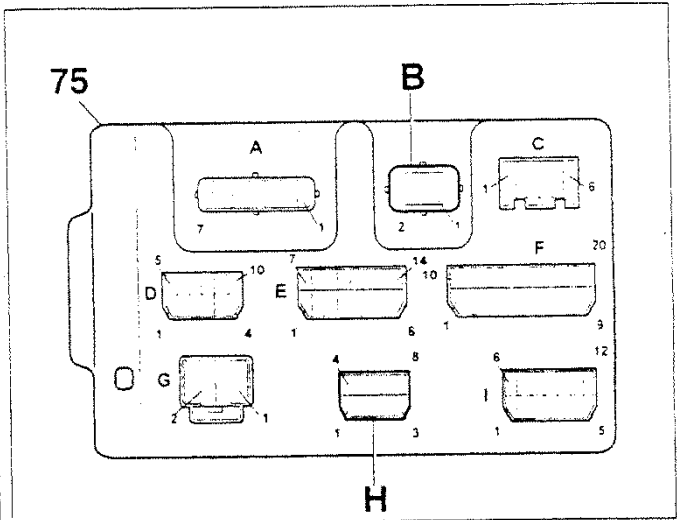
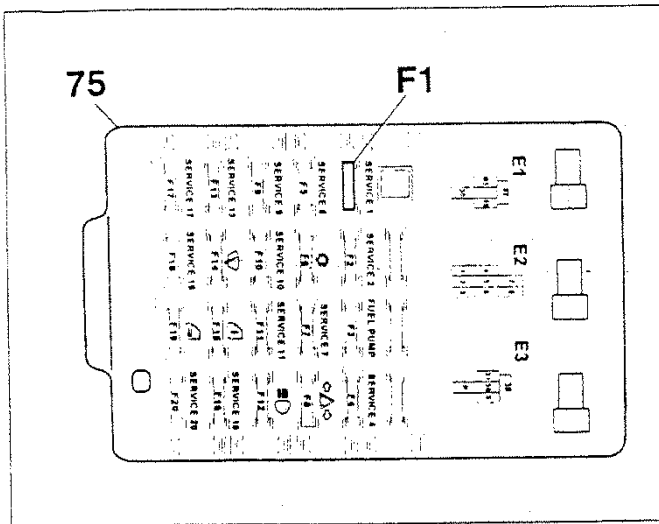


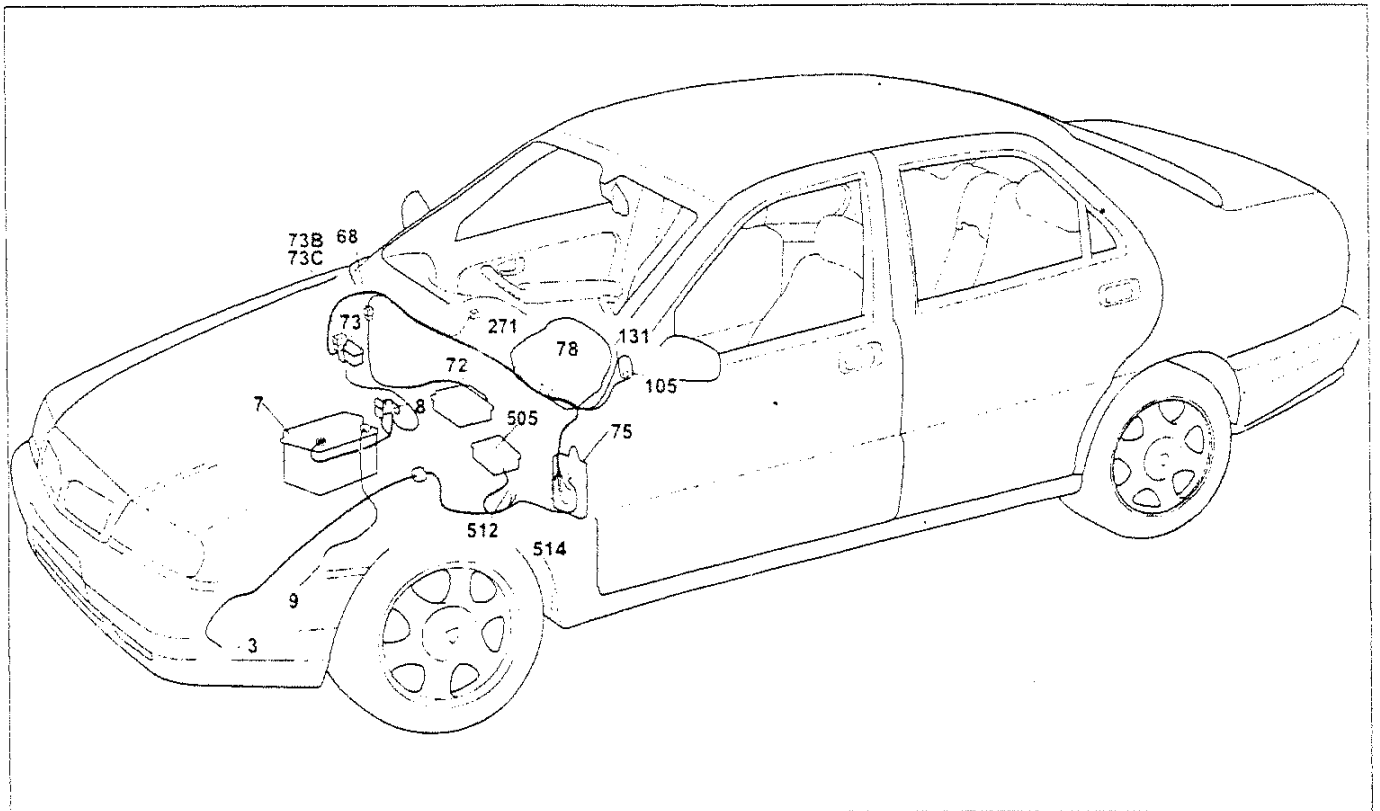
Cruise Control - (See key at end of wiring diagrams)



P3U61PL01

# Location of components





P3U63PL01

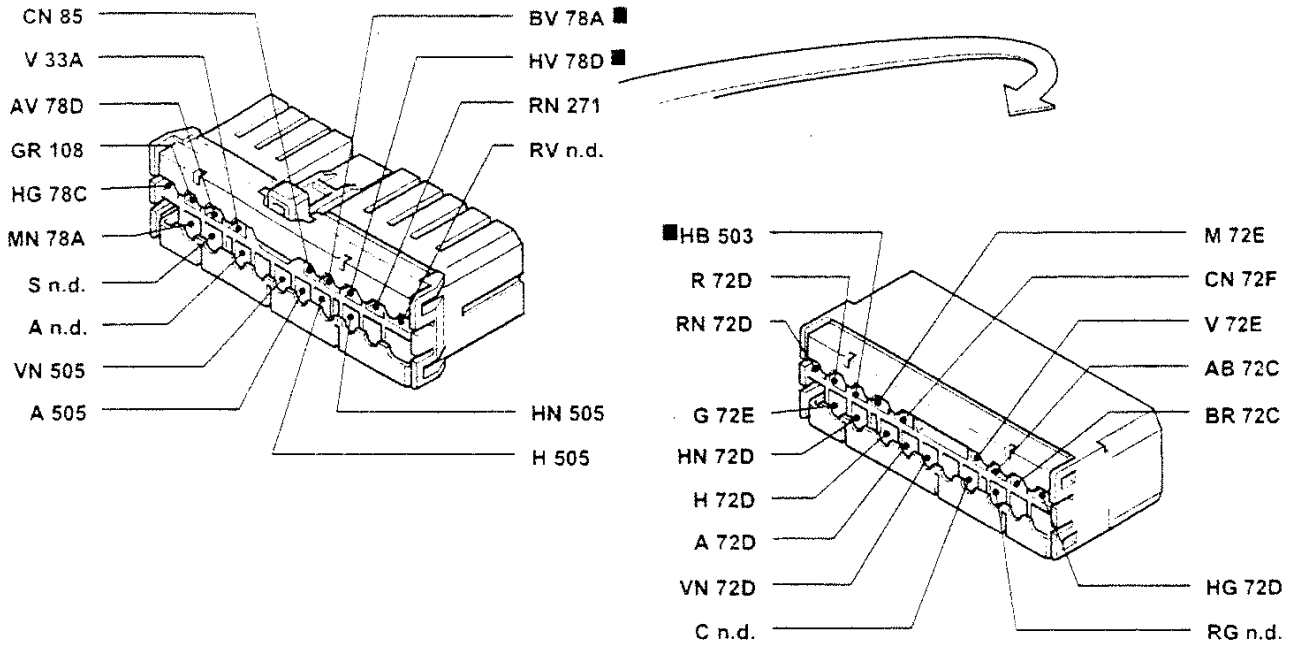
## Cruise Control

### Components key

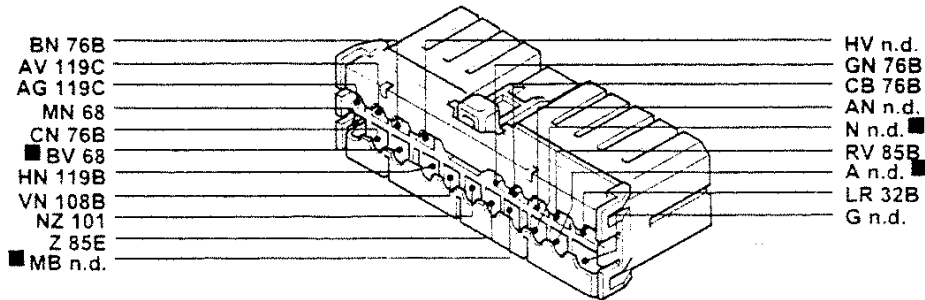
- 3 Left front earth
- 7 Battery
- 8 Main connector block
- 9 Earth on bodyshell
- 68 Connection between dashboard and electronic injection cables
- 72 Electronic injection control unit
- 73 Secondary connector block
- 73C 30A fuse protecting ignition switch / alarm device
- 75 Junction unit (dashboard)
- 78 Instrument panel
  - A1 Cruise control warning light
- 105 Ignition switch
- 131 Earth on steering column support
- 505 Cruise Control operation
- 512 Potentiometer on accelerator pedal
- 514 Switch on clutch
- N.D. Ultrasound welding taped in cable loom

### 55.

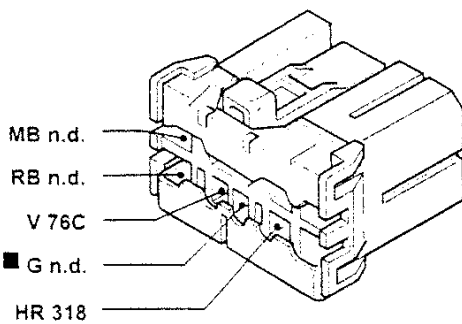
#### 68 Connection between dashboard and electronic injection cables



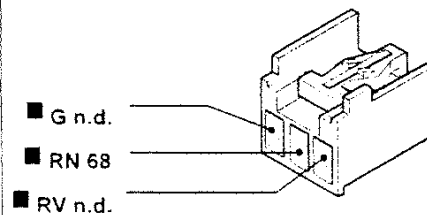
#### 78A Instrument panel



#### 75H Junction unit (dashboard)



#### 271 Brake lights switch



The cables in the wiring diagram are marked

P3U64PL01