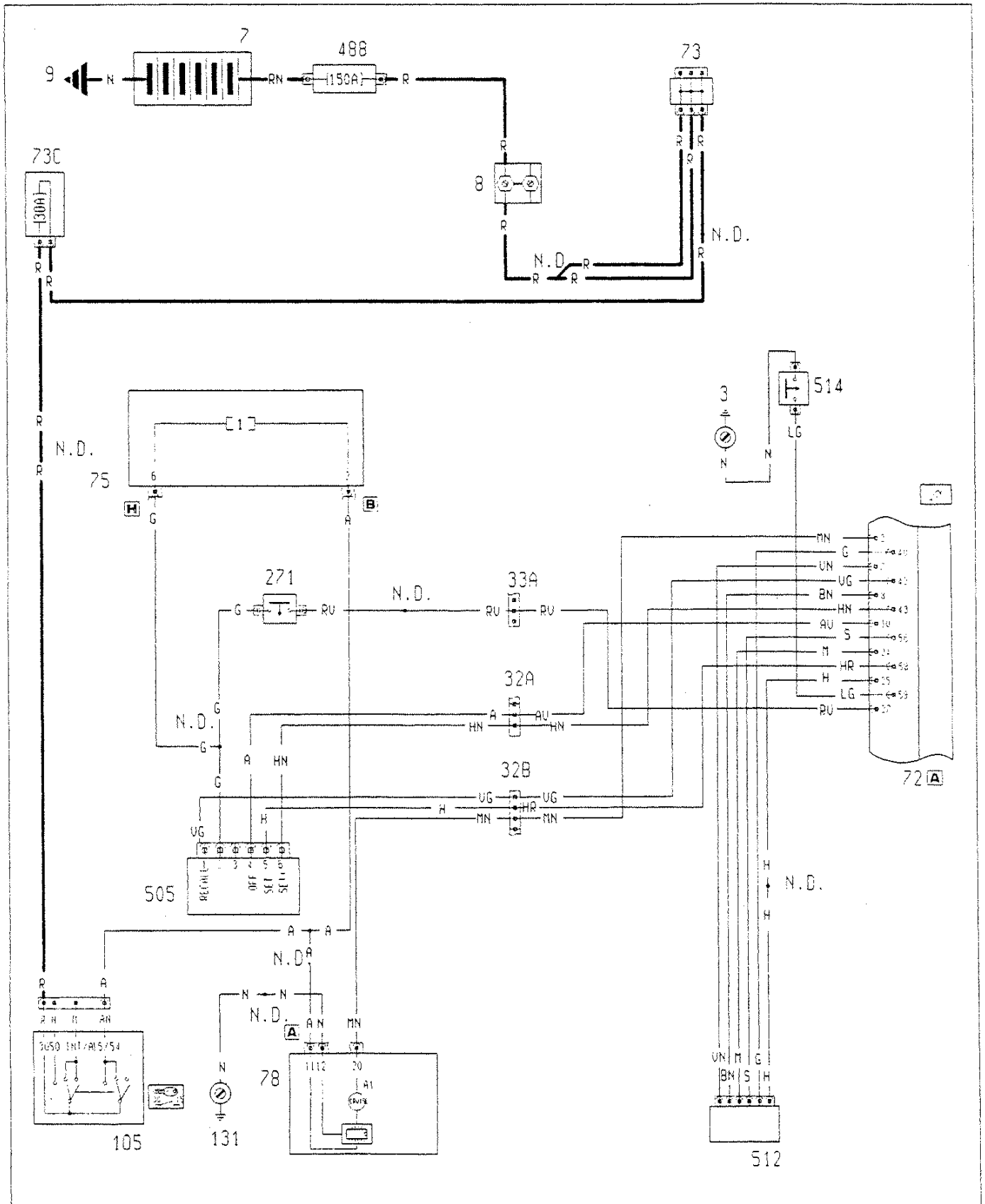
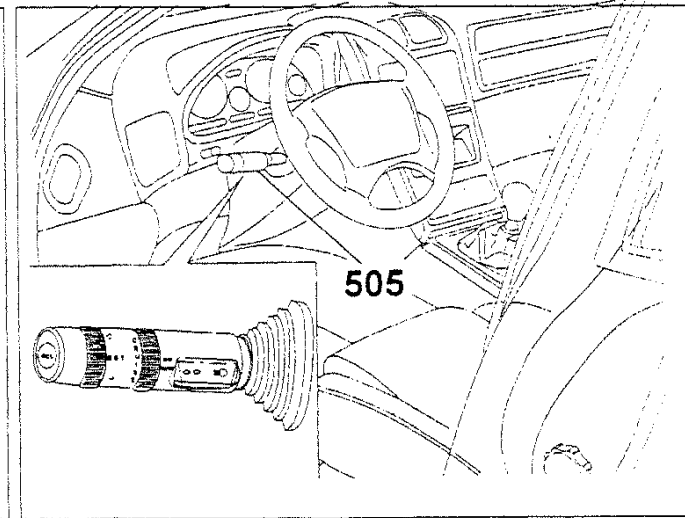
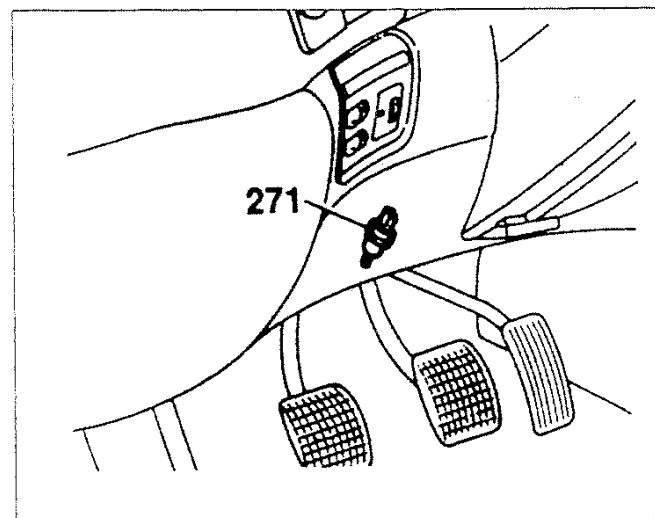
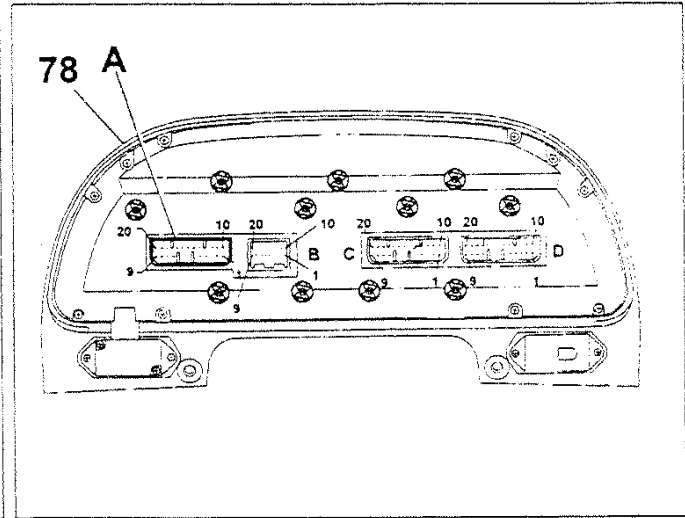
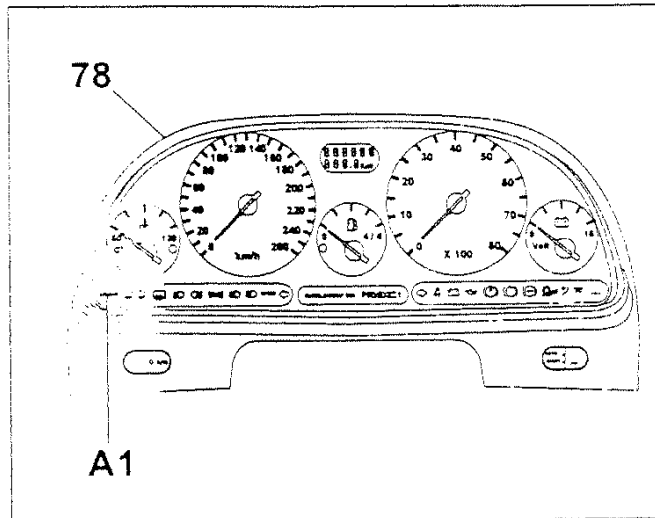
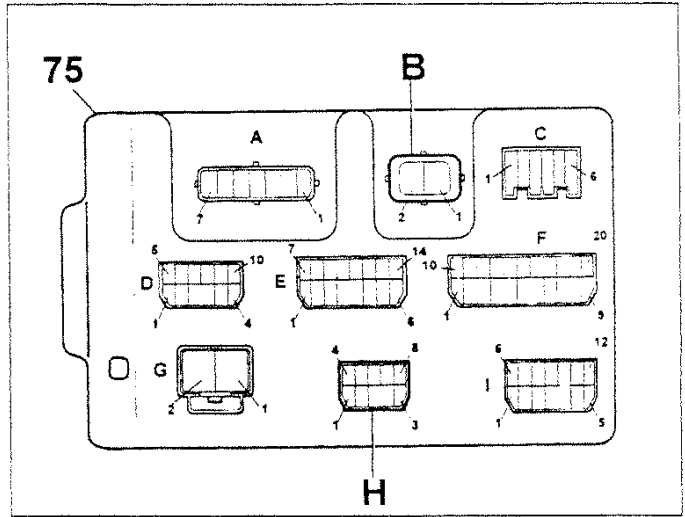
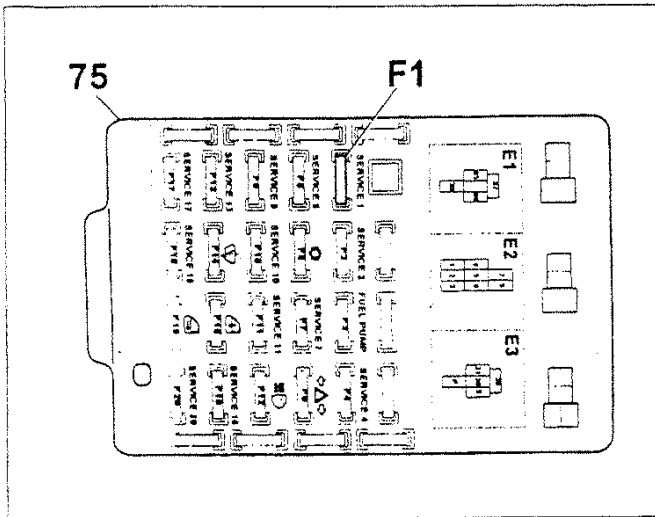
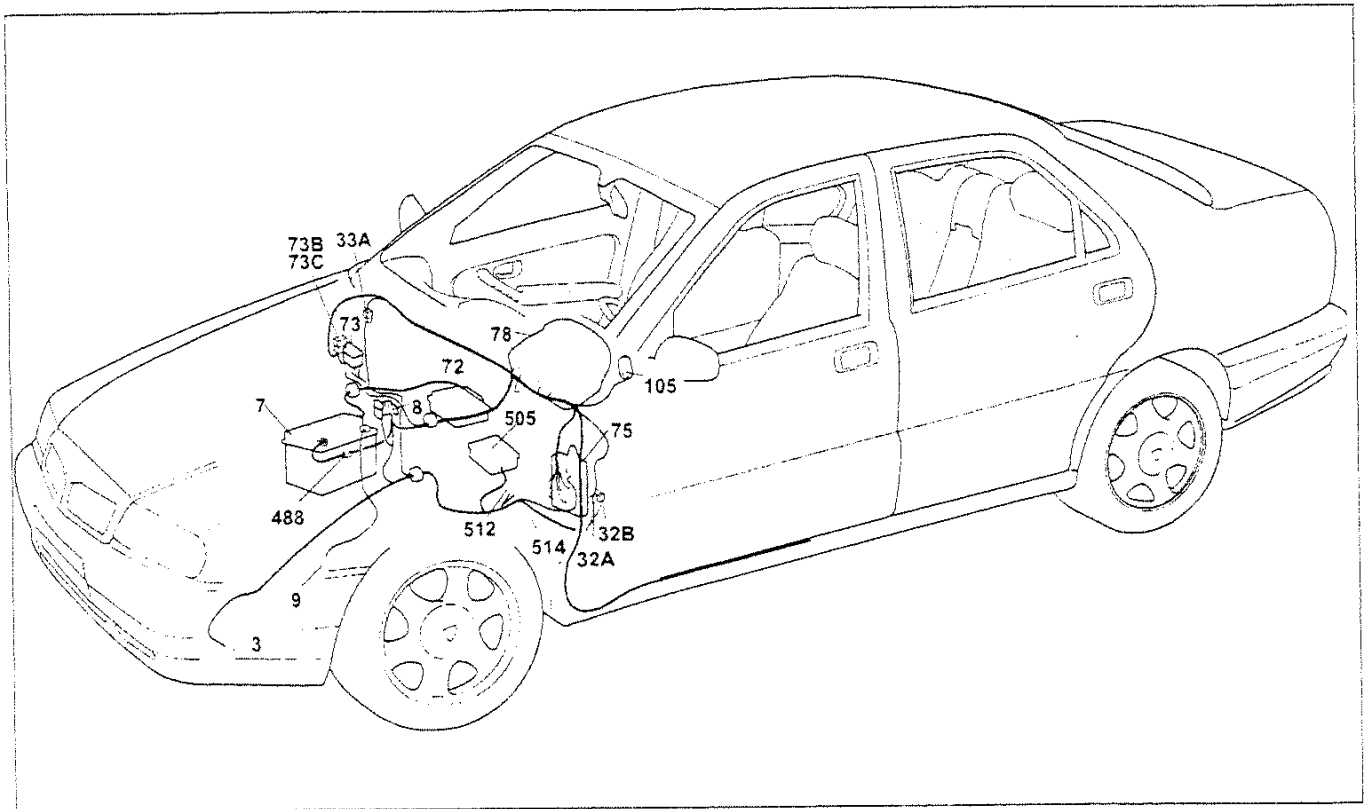


Cruise Control - (See key at end of wiring diagrams)



Location of components





P3U59PL01

Cruise Control

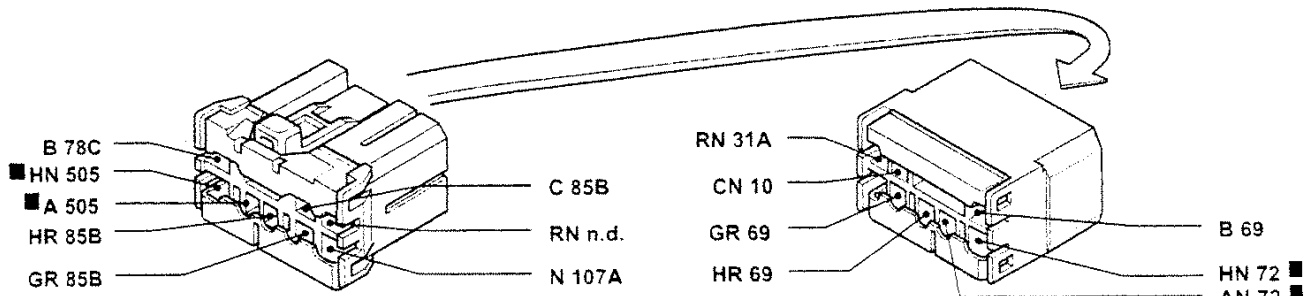
Components key

- 3 Left front earth
- 7 Battery
- 8 Main connector block
- 9 Earth on bodyshell
- 32A Connection between dashboard and left engine compartment cables
- 32B Connection between dashboard and left engine compartment cables
- 33 Connection between dashboard and right engine compartment cables
- 72 Fuel injection control unit
- 73 Secondary connector block
- 73C 30A fuse protecting ignition switch/alarm device
- 75 Junction unit (dashboard)
- 78 Instrument panel
 - A1 Cruise control warning light
- 105 Ignition switch
- 131 Earth on driver's side support
- 271 Brake lights switch
- 488 150A maxi fuse
- 505 Cruise Control operation
- 512 Potentiometer on accelerator pedal
- 514 Switch on clutch

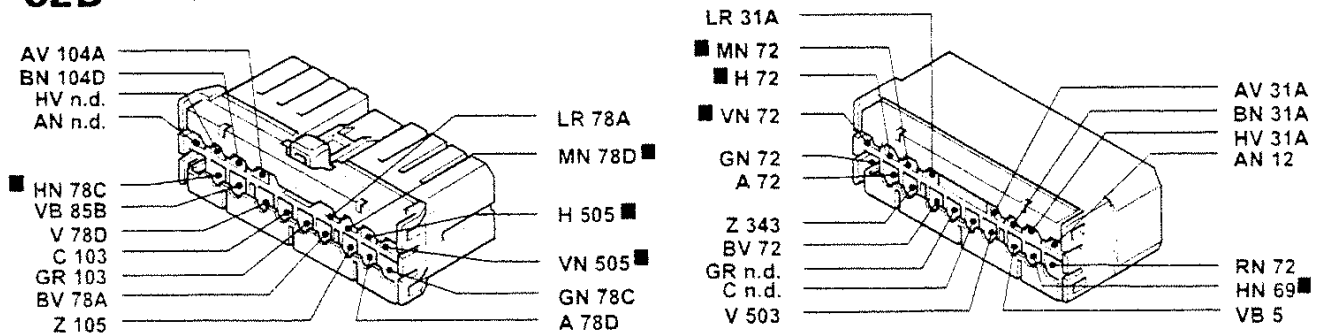
N.D. Ultrasound welding taped in cable loom

55.

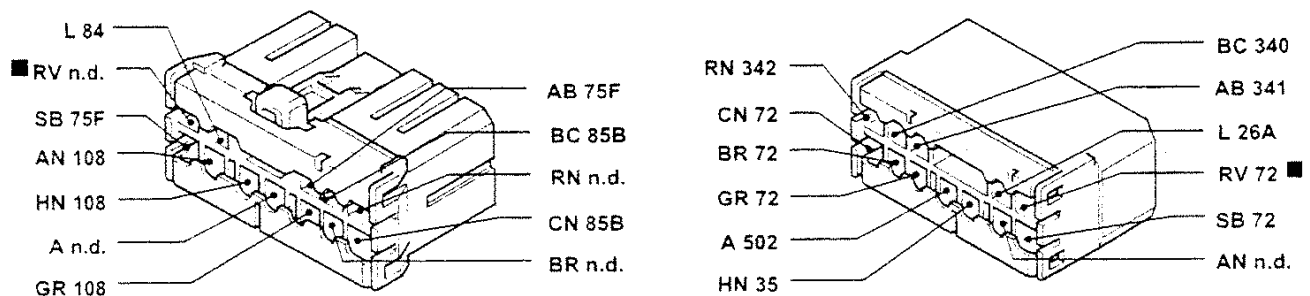
32A Connection between dashboard and left engine compartment cables



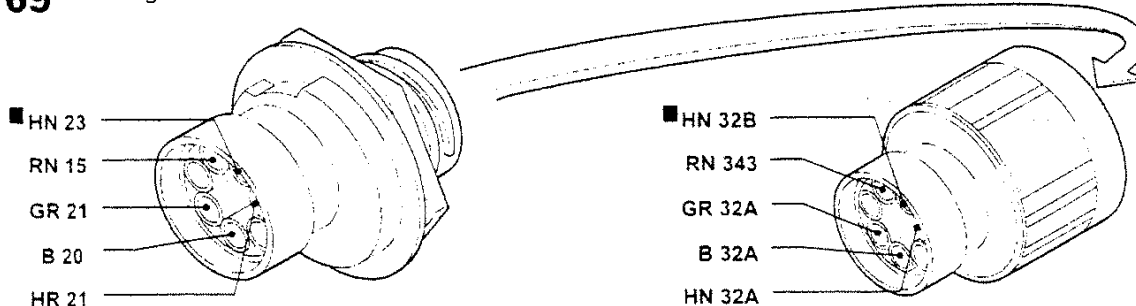
32B Connection between dashboard and left engine cables



33A Connection between dashboard and right engine cables



69 Engine services cable connection



The cables in the wiring diagram are marked

P3U60PL01